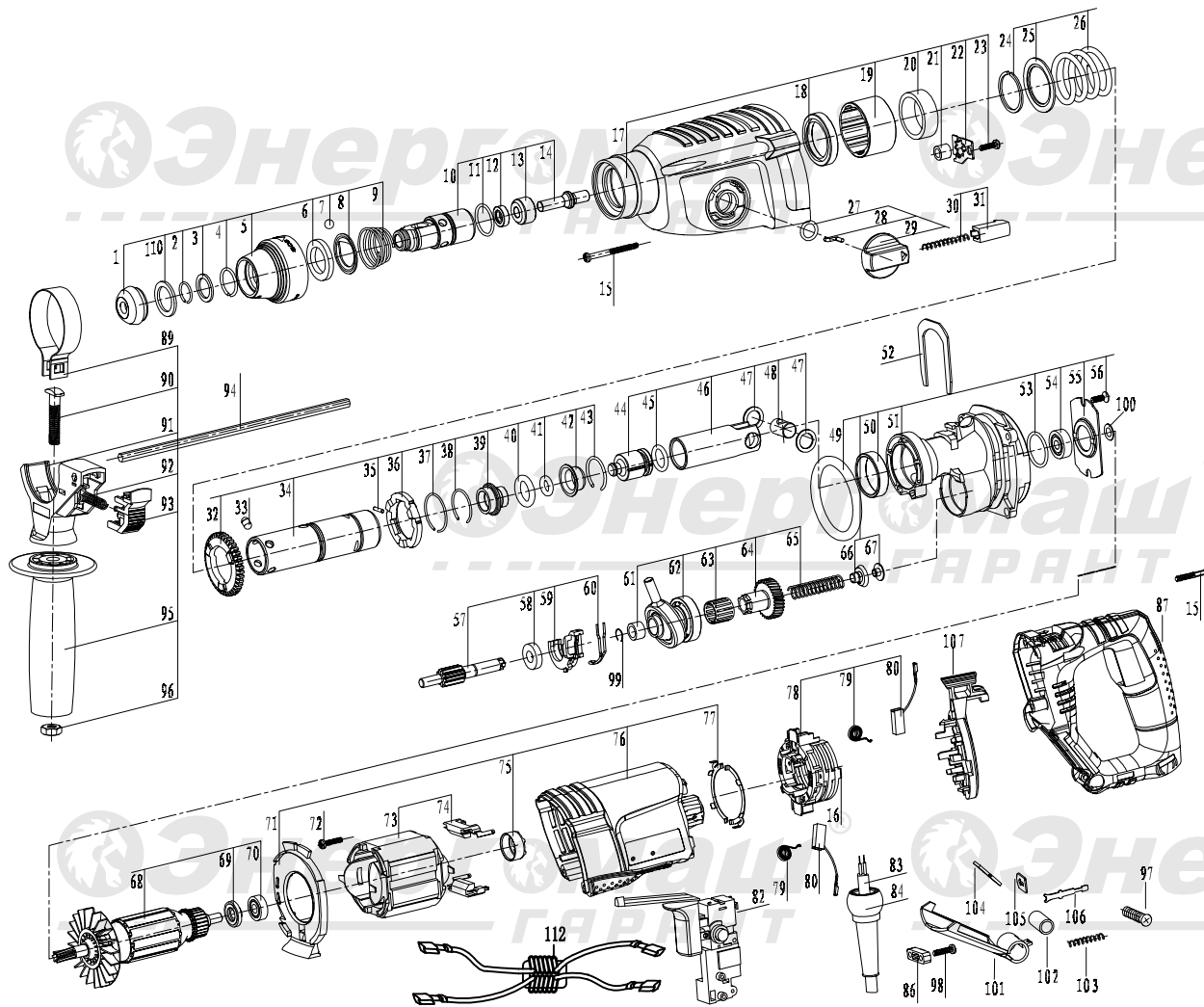


ПР1-950



| NO. | DESCRIPTION | NO. | DESCRIPTION |
|-----|---------------------------------------|-----|---------------------------|
| 1 | DUST CAP | 54 | 609RS BEARING |
| 2 | CIRCLIP Ф14X1.5 | 55 | BEARING PRESS PLATE |
| 3 | WASHER Ф16XФ22X1.6 | 56 | SCREW M4X10 |
| 4 | CIRCLIP Ф19X2 | 57 | MIDDLE GEAR |
| 5 | LOCKING SLEEVE | 58 | 699 BEARING |
| 6 | WASHER Ф21XФ32X6 | 59 | SHIFT FORK |
| 7 | STELL BALL Ф7.14 | 60 | SHIFT FORK SPRING |
| 8 | RING SPRING FLORIATE WASHER | 61 | HK0910 NEEDLE BEARING |
| 9 | SPRING | 62 | ROCKER BEARING |
| 10 | SMALL DRILL SLEEVE | 63 | K15 NEEDLE BEARING |
| 11 | O-RING Ф21.5X2 | 64 | BEVEL GEAR |
| 12 | OIL SEAL Ф9.2XФ16X5 | 65 | SPRING |
| 13 | POSITION-LIMITED SLEEVE OF IMPACT ROD | 66 | SPRING HOLDER |
| 14 | IMPACT ROD | 67 | CONVEX WASHER |
| 15 | SCREW ST4.5X40 | 68 | ROTOR |
| 16 | SPRING | 69 | INSULATION WASHER |
| 17 | FRONT HOUSING | 70 | 607RS BEARING |
| 18 | OIL SEAL Ф30XФ41X7 | 71 | WIND GUIDE |
| 19 | BUSHING | 72 | SCREW ST3.5X14 |
| 20 | HK3012 NEEDLE BEARING | 73 | STATOR |
| 21 | HK0709 NEEDLE BEARING | 74 | TERMINAL BOARD |
| 22 | NINE DENS WASHER | 75 | BEARING COVER |
| 23 | SCREW ST4.2X16 | 76 | HOUSING |
| 24 | CIRCLIP Ф28XФ32.6X1.5 | 77 | SWITCH CONTACT |
| 25 | WASHER Ф30XФ43X1.5 | 78 | CARBON BRUSH HOLDER |
| 26 | SPRING | 79 | COIL SPRING |
| 27 | O-RING Ф11X2.5 | 80 | CARBON BRUSH |
| 28 | MODEL SELECTOR IRON CORE | 82 | SWITCH |
| 29 | MODEL SELECTOR KNOB | 83 | CORD |
| 30 | MODEL SELECTOR SPRING | 84 | CORD SLEEVE |
| 31 | LOCKING BUTTON | 86 | CORD CLAMP |
| 32 | BIG GEAR | 87 | HANDLE |
| 33 | POSITION PIN | 89 | HANDLE STEEL RING |
| 34 | ROTARY SLEEVE | 90 | T-BOLT |
| 35 | PIN Ф2.5X12 | 91 | HANDLE SEAT |
| 36 | CLUTCH DISK | 92 | DEPTH GAUGE LOCK SPRING |
| 37 | CIRCLIPФ28X1.5 | 93 | DEPTH GAUGE LOCK |
| 38 | CIRCLIPФ27.5X1.5 | 94 | DEPTH GAUGE |
| 39 | IMPACT ROD SLEEVE | 95 | AUXILIARY HANDLE |
| 40 | O-RING Ф18X3.5 | 96 | M8 NUT |
| 41 | O-RING Ф9.6X3.5 | 97 | SCREW ST4.2X16 |
| 42 | DAMPING BUSHING | 98 | SCREW ST4X16 |
| 43 | CIRCLIP Ф28X2 | 99 | CIRCLIP Ф8 |
| 44 | PISTON | 100 | BEARING WASHER Ф9XФ14X0.5 |
| 45 | O-RING Ф15.1X3 | 101 | HOOK |
| 46 | CYLINDER | 102 | FIXED SLEEVE |
| 47 | CYLINDER WASHER | 103 | SPRING |
| 48 | CYLINDER PIN | 104 | LIMIT PLATE |
| 49 | BRACKET O-RING Ф53X7 | 105 | FIXED PLATE |
| 50 | BRACKET BUSHING | 106 | SLIDING SHELVES |
| 51 | BRACKET | 107 | FORWARD/REVERSE BUTTON |
| 52 | BRACKET PRESS PLATE | 110 | WASHER Ф11XФ17X1 |
| 53 | O-RING Ф23.2X2.4 | 112 | INDUCTOR |